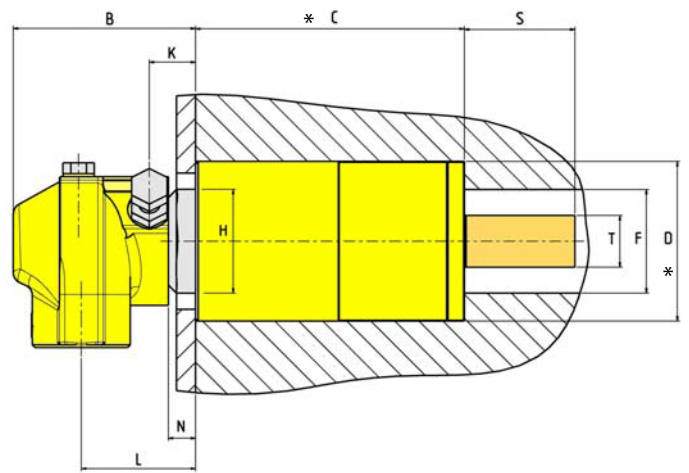


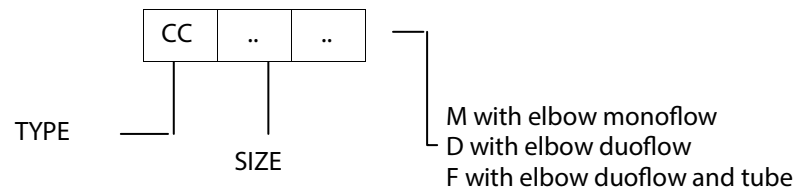
MONOFLOW

* SHAFT DIMENSIONS

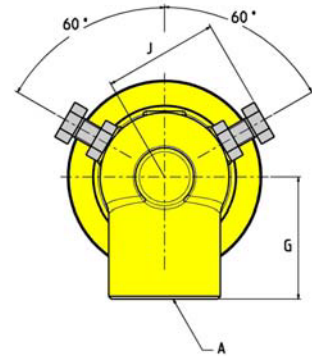
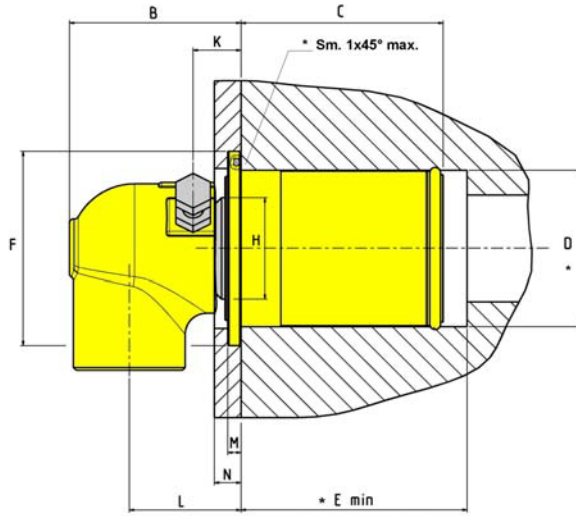


DUOFLOW

P max	10 bar
T max	120°C
N max	100 RPM

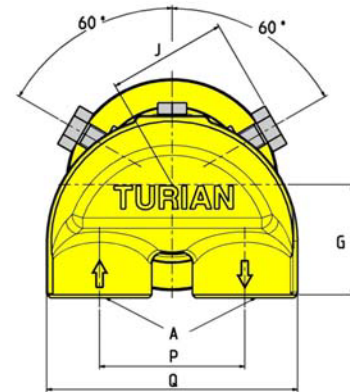
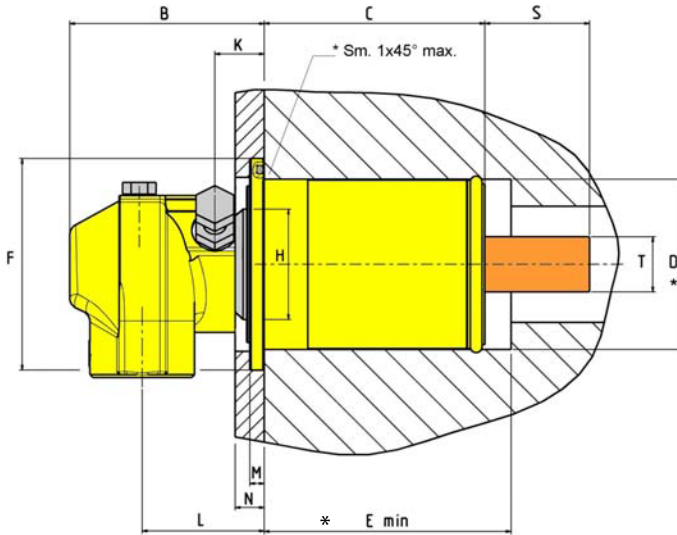


	TYPE	A BSP	B	C *	D *		F	G	H	J	K	L		N	P	Q	S	T
MONOFLOW	CC 19 M	3/4	50	67.95 67.70	46.35 46.10	-	28	47	32	33	17	33	-	10	-	-	-	-
	CC 24 M	1"	67	98.60 98.35	58.98 58.70	-	38	46	38	33	17	44	-	10	-	-	-	-
DUOFLOW	CC 19 F	3/4	67	67.95 67.70	46.35 46.10	-	28	39	32	33	17	42	-	10	51	86	48	13.00 12.94
	CC 24 F	3/4	67	98.60 98.35	58.98 58.70	-	38	39	38	33	17	42	-	10	51	86	63	19.00 18.94
	CC 37 F	1"	97	101.25 101.00	71.25 71.00	-	48	46	57	44	23	66	-	10	64	105	51	28.70 28.58



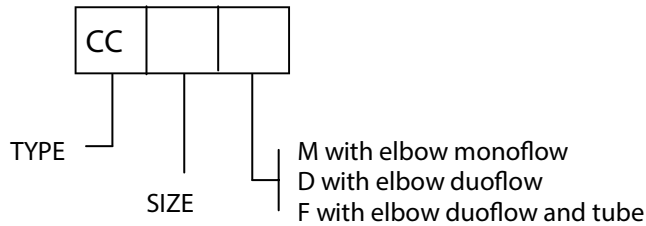
MONOFLOW

* SHAFT DIMENSIONS



DUOFLOW

P max	10 bar
T max	120°C
N max	100 RPM



	TYPE	A	B	C	D	E	F	G	H	J	K	L	M	N	P	Q	S	T
		BSP			*	*												
MONOFLOW	CC 20 M	3/4	50	60	46.35 46.10	62	59	47	32	33	17	33	4	10	-	-	-	-
	CC 25 M	1"	67	76	58.98 58.70	82	73	46	38	33	17	44	5	10	-	-	-	-
DUOFLOW	CC 20 F	3/4	67	60	46.35 46.10	62	59	39	32	33	17	42	4	10	51	86	48	13.00 12.94
	CC 25 F	3/4	67	76	58.98 58.70	82	73	39	38	33	17	42	5	10	51	86	63	19.00 18.94
	CC 38 F	1"	97	82	71.25 71.00	94	86	46	57	44	23	66	5	10	64	105	51	28.70 28.58